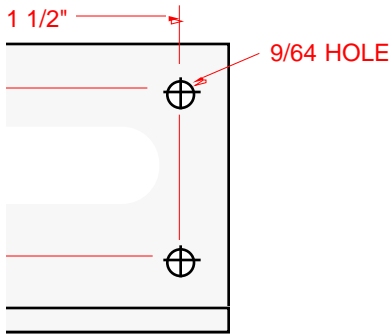
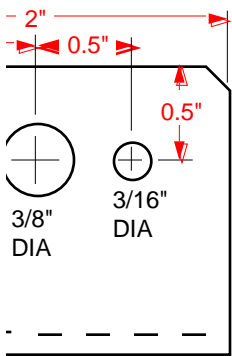


You can use the above figure as a template to make the Rheostat Bracket, by cutting it out and rubber cementing it to the angle, as described in Step 34 on page 30 in the bulletin B9702.

(Note you only need one template—this sheet contains 2 extras.)



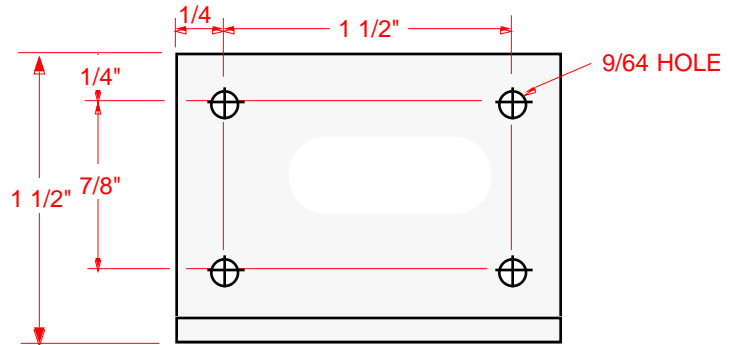
Looking At Top



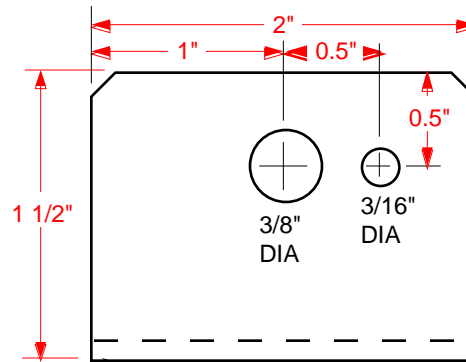
1/2 X 1-1/2 X 3/16 X 2\"/>

Looking At Right Side

Bracket Dimensions



Looking At Top



① 1-1/2 X 1-1/2 X 3/16 X 2\"/>

Looking At Right Side

Rheostat Bracket Dimensions

