

Fig 50a - Sw & DC Current Routed to Track 1
 Next engine to cross contact T7 will set & relays for Track 1 shown in Fig 50b

Fig 50b - Sw & DC Current Routed to Track 2
 Next engine to cross contact T4 will set & relays for Track 2 shown in Fig 50c

NOTE that Fig 50a above, corresponds to initial conditions shown in Fig 45a.

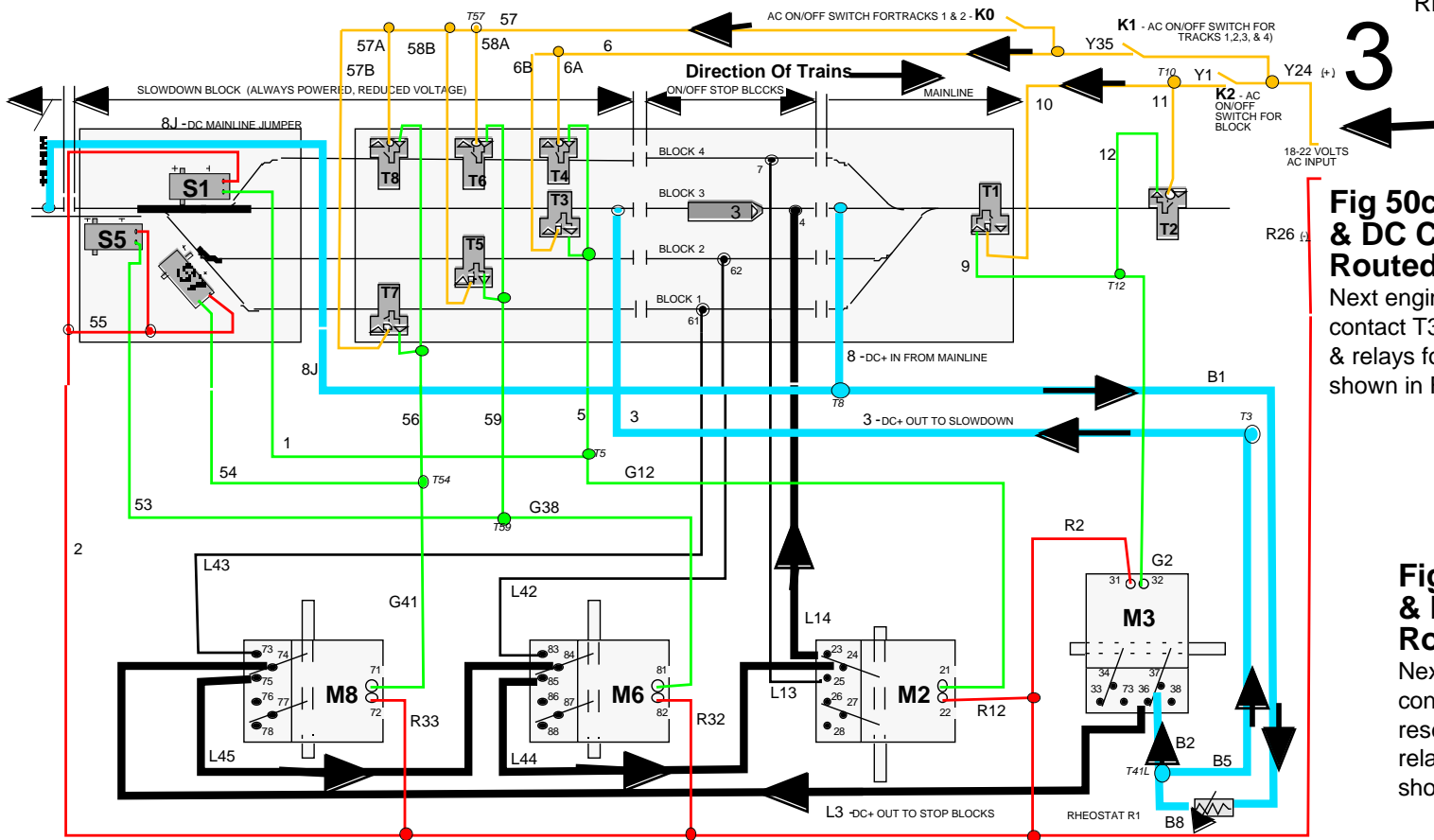


Fig 50c - Sw & DC Current Routed to Track 2
 Next engine to cross contact T3 will set & relays for Track 2 shown in Fig 50d

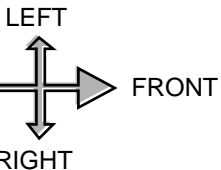
Fig 50d - Sw & DC Current Routed to Track 3
 Next engine to cross contacts T1 & T2 will reset all 3 relays back to initial position shown in Fig 50a

Summary: The above figures show the position of the switch motor arms and current flow to each track, as the system sequences from Track 1 to Track 4.

Switches
at Path
Track 1
ROSS
at switches
2, as



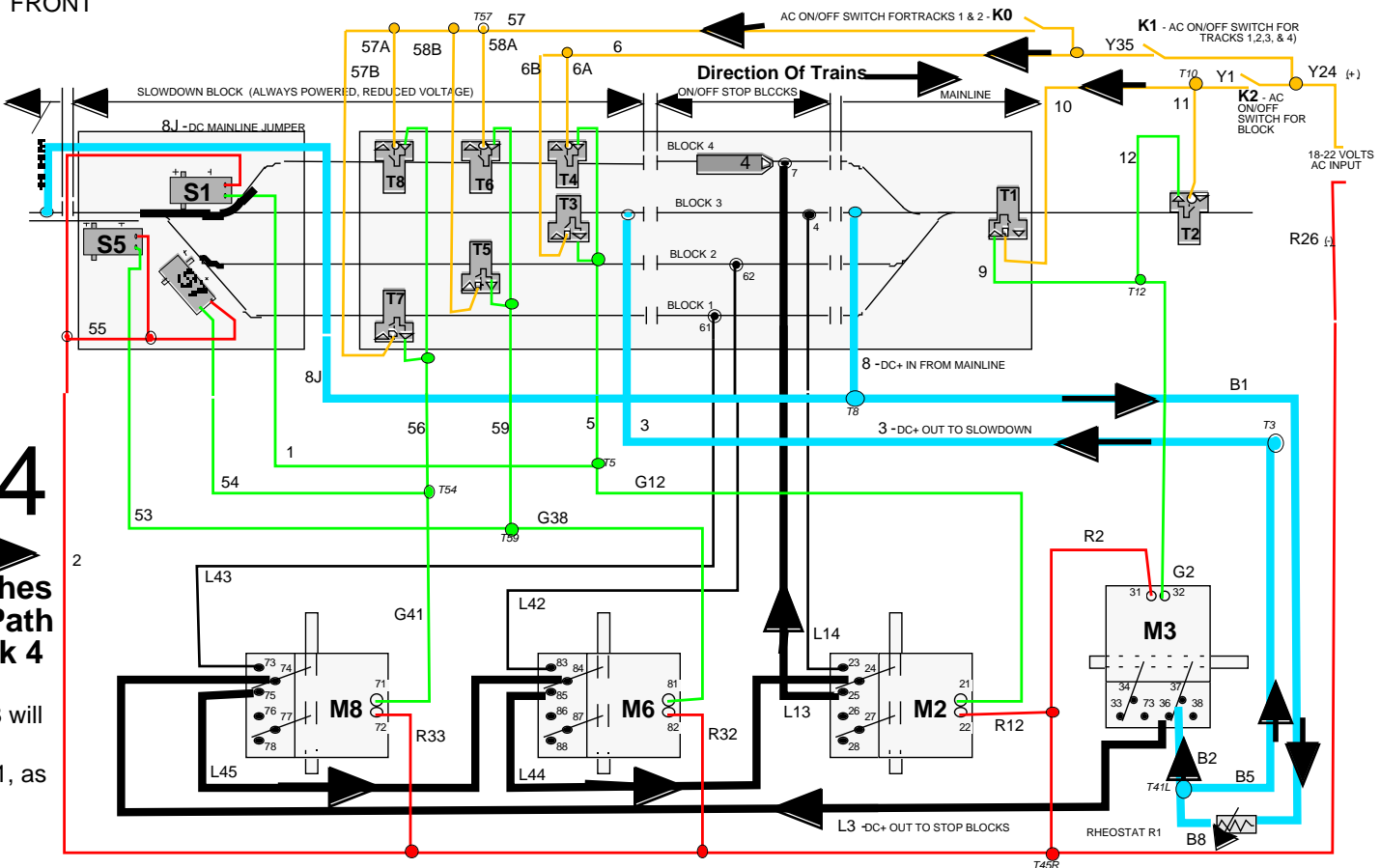
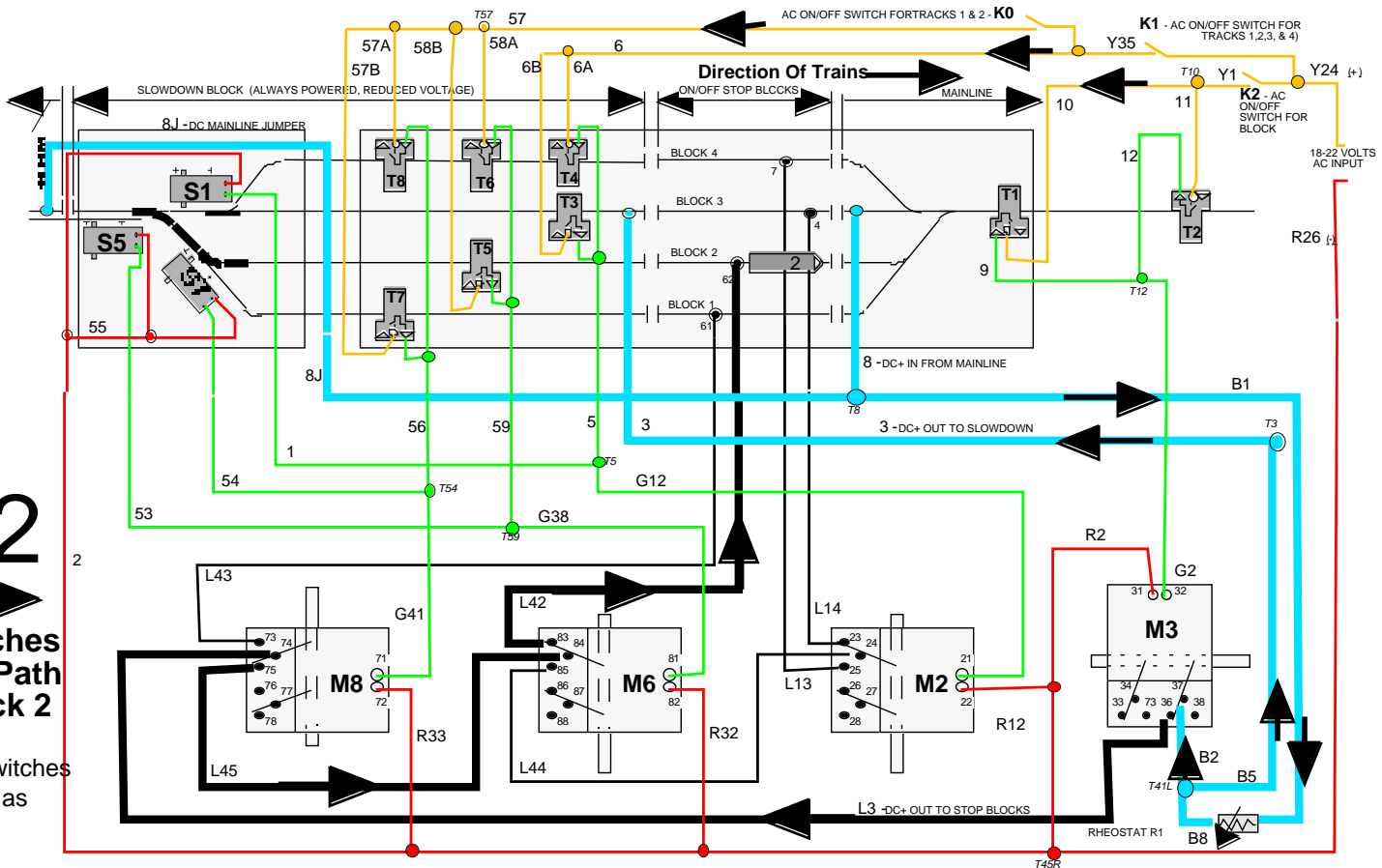
Switches
Current Path
to Track 2
Ross
will set switches
for Track 3, as
Fig 50c



Switches
at Path
Track 3
ROSS
at switches
4, as

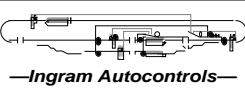


Switches
Current Path
to Track 4
Ross
will set switches
&
Track 1, as
Fig 50a



JAMES R. INGRAM
© 1996 303-798-1968

7931 SO. BROADWAY, STE. 331
LITTLETON CO 80122-2710



TITLE **MODEL 165 ZELLNER YARD 4-TRACK BLOCK**
DWG SERIES **D8811-165**
ORIG 26OCT96 | REV A, 28OCT96
SEQUENCING SCHEMATIC SH.

50