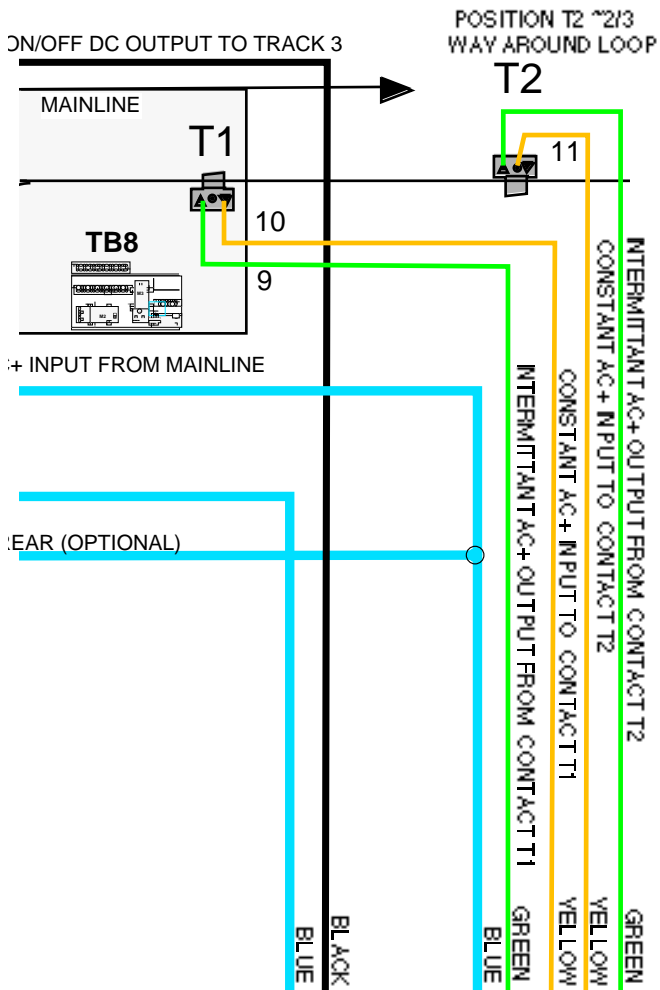


	<b>JAMES R. INGRAM</b> 7931 SO. BROADWAY, STE. 331 303-798-1968 © 1996 LITTLETON CO 80122-2710 SCALE: NONE	
	TITLE MODEL 165 ZELLNER YARD 4-TRACK BLOCK DWG SERIES D8811-165	
	ORIG 21JAN96 #1654 WIRING-1 TRACK	REV B, 15AUG96 SH
	<b>36</b> <small>(6H23.b20.89%)</small>	

**Summary:** This sheet shows the Phase 1 track wiring for single-track operation—track unit assembled as per Sheet 33.



**WIRE LIST:**

COLOR	NUMBERS	FUNCTION
BLACK	4, 7, 61, 62	BLACK = DC (+) SWITCHED
BLUE	3, 8	BLUE = DC (+) UNSWITCHED
GRAY	13, 14, 15, 16, 51, 52	GRAY = AC (+) TARGET LIGHTS
GREEN	1, 5, 9, 12, 53, 54, 56, 59	GREEN = AC (+) SWITCHED
RED	2, 55	RED = AC (-) UNSWITCHED
YELLOW	6, 10, 11, 57, 58	YELLOW = AC (+) UNSWITCHED

- NOTES:**
1. WIRE 8 AND TERM BLK 11 ARE OPTIONAL—IT IS A FRONT-TO-REAR JUMPER FOR MAINLINE TRACK POWER
  2. USE THIS SHEET (SIMPLER, PREFERRED) IF YOU ARE MAKING BASE 1 AND BASE 2 THE SAME PIECE.
- USE SHEET 36 IF YOU ARE BUILDING BASE 1 AND BASE 2 AS 2 SEPARATE BASES.

